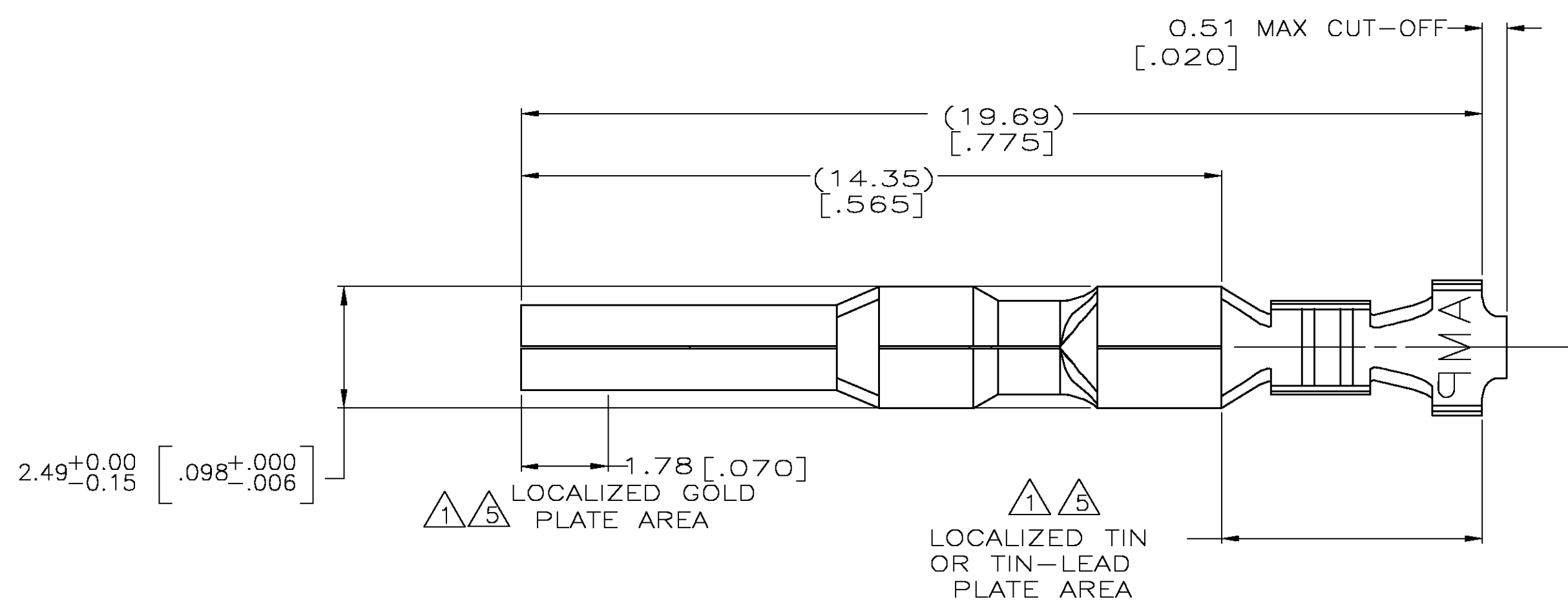
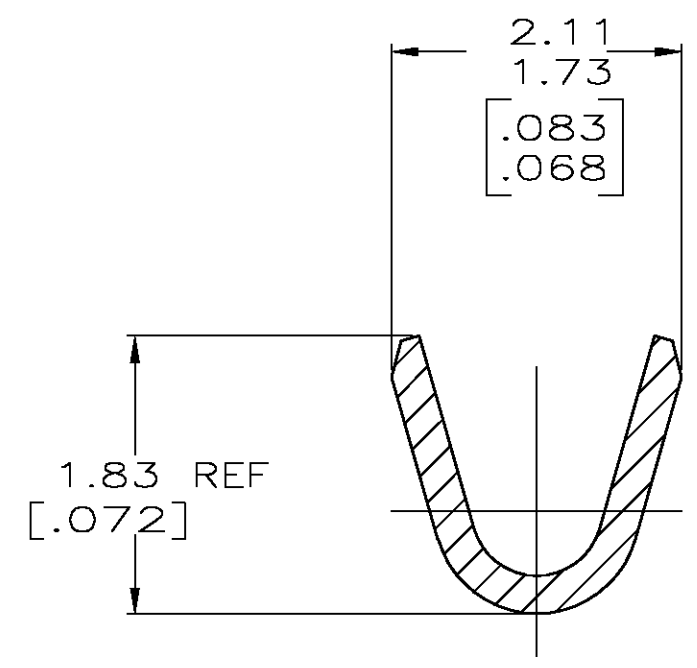
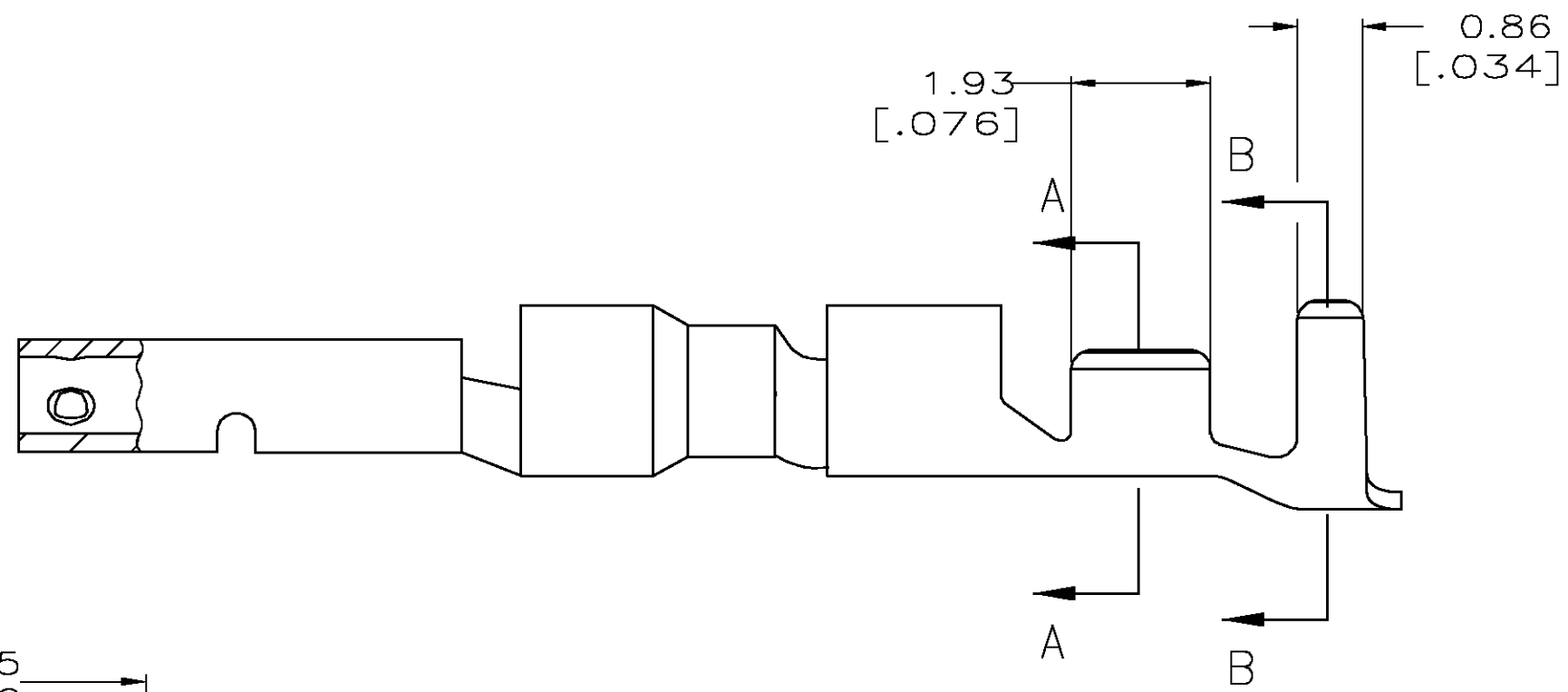


THIS DRAWING IS UNPUBLISHED. RELEASED FOR PUBLICATION
 © COPYRIGHT BY TYCO ELECTRONICS CORPORATION. ALL RIGHTS RESERVED.

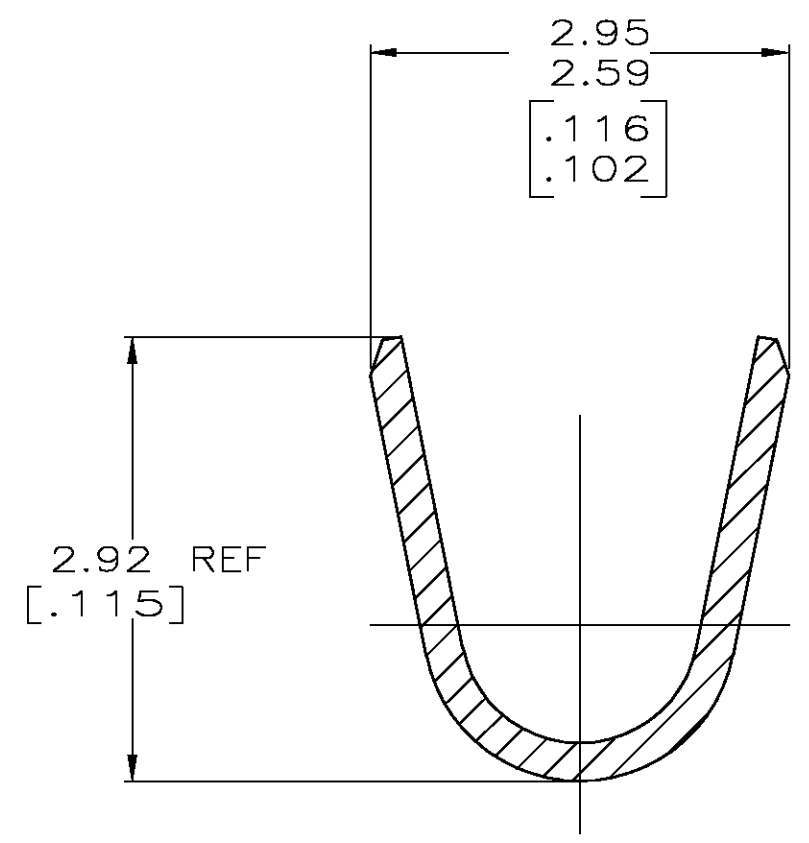
LOC		DIST		REVISIONS			
P	LTR	DESCRIPTION		DATE	DWN	APVD	
CM	00	E		REVISED PER EC 0G3B-0231-05	04MAR05	KW	CJ



- ① 0.00076 [.000030] MIN GOLD IN LOCALIZED GOLD PLATE AREA AND 0.00254 [.000100] MIN BRIGHT TIN-LEAD IN LOCALIZED TIN-LEAD PLATE AREA OVER 0.0013 [.000050] MIN NICKEL.
- 2. WIRE RANGE: 0.12 - 0.4MM² (26-22 AWG).
- 3. INSULATION RANGE: 1.19-1.75 [.047-.069] DIA.
- 4. DIMENSIONS IN BRACKETS ARE IN INCHES.
- ⑤ 0.00076 [.000030] MIN GOLD IN LOCALIZED GOLD PLATE AREA AND 0.00254 [.000100] MIN MATTE TIN IN LOCALIZED TIN PLATE AREA OVER 0.0013 [.000050] MIN NICKEL.
- ⑥ ROHS COMPLIANT.



SECTION A-A
SCALE 20:1



SECTION B-B
SCALE 20:1

⑥	⑤	0.25 [.010] BRASS	1-794227-0
	①	0.25 [.010] BRASS	794227-3
		PRE-TIN	0.25 [.010] BRASS
		FINISH	MATERIAL
			PART NO

METRIC

THIS DRAWING IS A CONTROLLED DOCUMENT. R. ORSTAD 1-15-97		DWN K. WHITAKER 04MAR2005	Tyco Electronics Corporation Greensboro, NC 27409	
DIMENSIONS: R. ORSTAD 1-15-97		CHK C. JONES 04MAR2005	NAME SOCKET, LOOSE PIECE, MINI UNIVERSAL MATE-N-LOK(TM) 2	
TOLERANCES UNLESS OTHERWISE SPECIFIED: 1-15-97		APVD C. JONES 04MAR2005	PRODUCT SPEC	
0 PLC ± -		APPLICATION SPEC		
1 PLC ± -		WEIGHT		
2 PLC ± -		SCALE 10:1		
3 PLC ± 0.15 [.006]		SHEET 1 OF 1		
4 PLC ± -		REV E		
ANGLES ± -		CUSTOMER DRAWING		
FINISH SEE TABLE		SIZE A2 CAGE CODE 00779 C=794227		